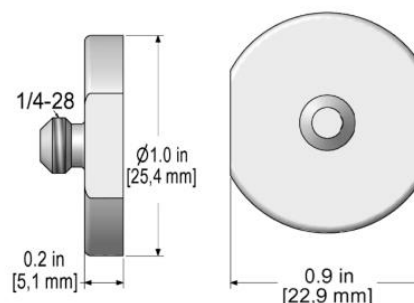


TAP-101-1-A

Flat Surface Adhesive Mounting Pad



Product Specifications

Model No	TAP-101-1A
Sensor Mounting	1/4"-28 Integral Stud
Pull Strength	N/A
Case Material	Stainless Steel 304
Compatibility	Compatible with all sensors with 1/4"-28 mounting holes
Type	Textured surface on bottom of pad for adhesive bonding, Adhesive mount to avoid drilling and tapping
Usage	Provides a consistent location for a permanent vibration reading location

Tyrannus Innovative Engineering & Research Academy Pvt. Ltd
 TrEST Research Park
 Ground Floor
 TC- 4/2322, GEM building,
 (Opp) College of Engineering Trivandrum
 Engineering College PO, Kerala – 695016
sales@tieraonline.in