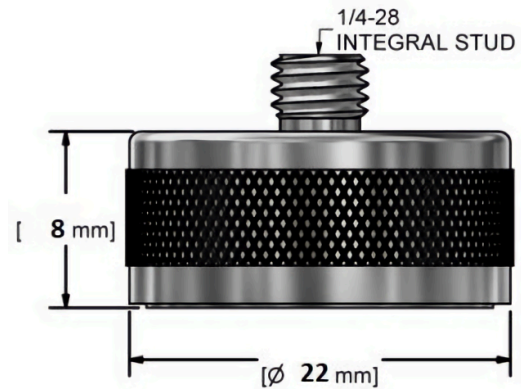


TMA-101-1-A

Flat Surface Magnetic Mounting Base



Product Specifications

| | |
|-------------------------|------------------------|
| Model No | TMA 101-1A |
| Sensor Mounting | 10-32 Integral Stud |
| Available Pull Strength | 4 kg, 15kg, 20kg |
| Magnetic Material | Neodymium Iron Boron |
| Case Material | Stainless Steel 304 |
| Dimensions | 22 mm O.D & 8mm Height |
| Model No | TMA 101-1A |
| Sensor Mounting | 1/4-28 Integral Stud |
| | |

Tyrannus Innovative Engineering & Research Academy Pvt. Ltd
 TrEST Research Park
 Ground Floor
 TC- 4/2322, GEM building,
 (Opp) College of Engineering Trivandrum
 Engineering College PO, Kerala – 695016
sales@tieraonline.in